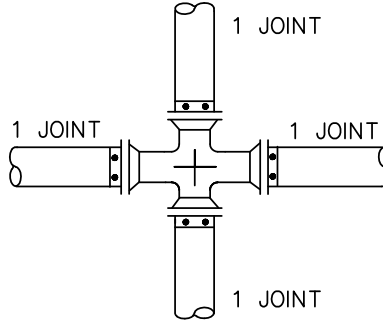
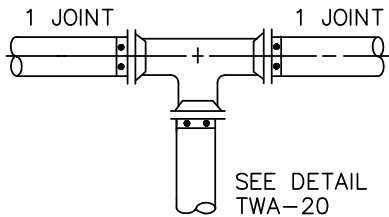


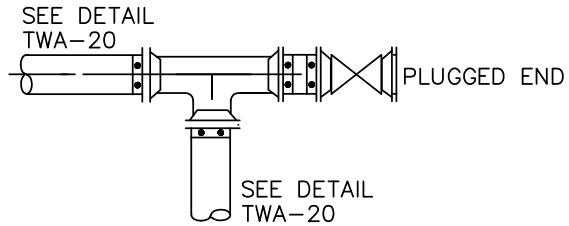
BENDS



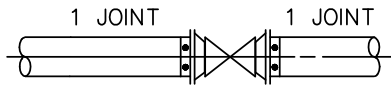
CROSS



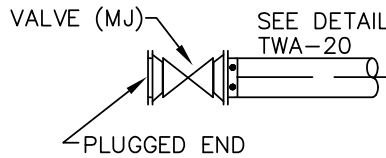
TEE



90° BEND AND VALVE



IN-LINE VALVE



DEAD END

WITH OR WITHOUT BLOW-OFF

NOTES:

1. MECHANICAL PIPE RESTRAINING SYSTEMS SHALL BE PROVIDED AS STANDARD. THRUST BLOCKING IS NOT SUITABLE EXCEPT AS SPECIFICALLY ALLOWED. WHERE PVC/P IS USED PROVIDE PVC/MJ RESTRAINER UNIFLANGE SERIES 1300; EBAA IRON OR EQUAL.
2. ALL MECHANICAL JOINTS AT FITTINGS AND VALVES SHALL BE RESTRAINED.
3. RESTRAIN THROUGH VALVES.

THRUST RESTRAINT DETAILS

TWA-19
2009