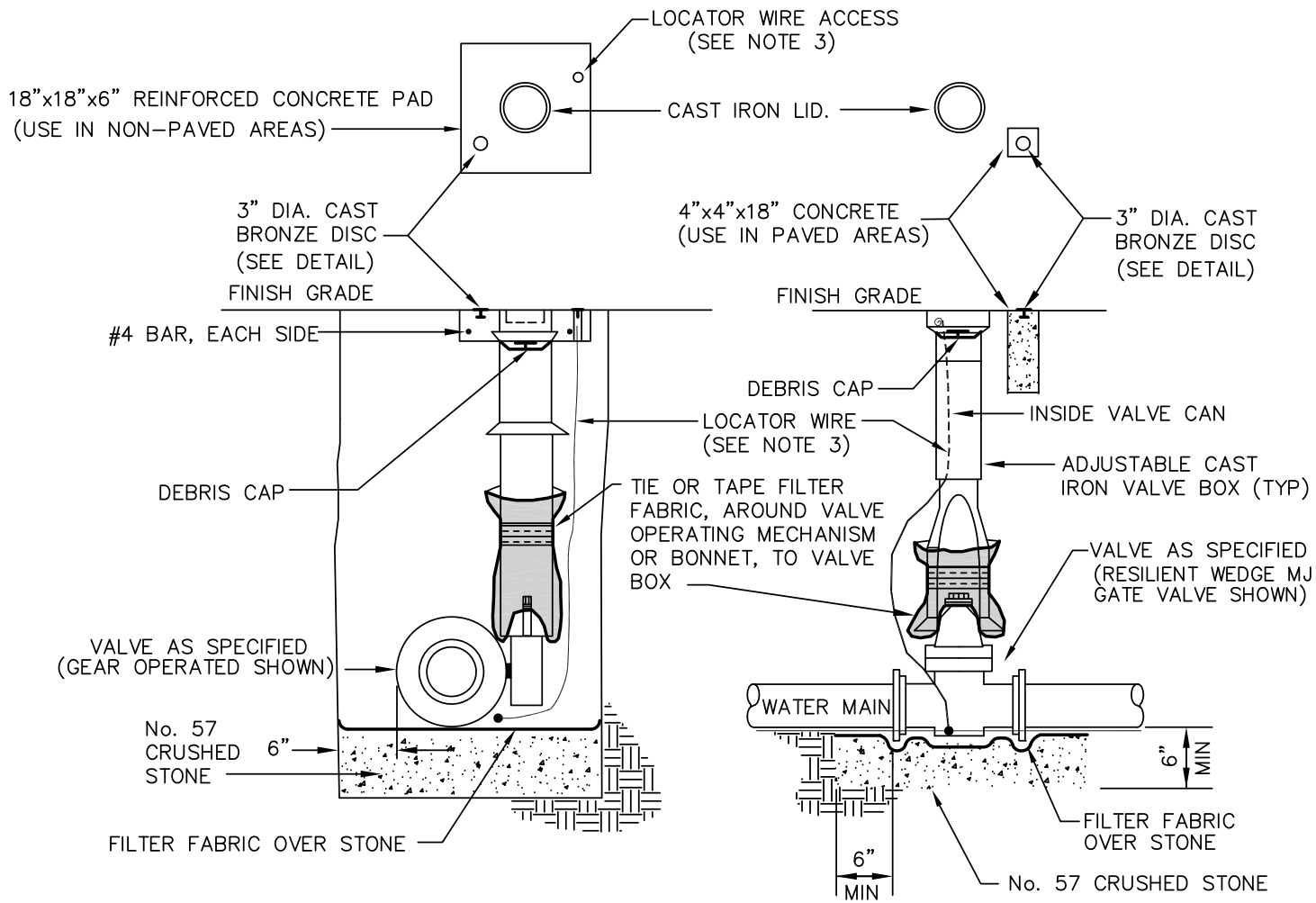


3" DIA. BRONZE DISC DETAILS



VALVE BOX IN UNPAVED AREA

VALVE BOX IN PAVED AREA

NOTES:

1. CRUSHED STONE BEDDING 6" MINIMUM BELOW VALVE TO BE COVERED WITH FILTER FABRIC.
2. VALVE BOX RISER EXTENSIONS SHALL BE DUCTILE IRON PIPE.
3. LOCATOR WIRE ACCESS - IN UNPAVED AREA USE 2" SCH80 PVC, FEMALE ADAPTOR COUPLING AND 2" BRASS PLUG w/RECESSED NUT. TERMINATE INSULATED, SOLID 14 GA. COPPER WIRES AT TOP w/12" OF EXTRA WIRE. IN PAVED AREA, TERMINATE SOLID 14 GA. COPPER WIRES INSIDE OF TOP PORTION OF VALVE BOX w/12" OF EXTRA WIRE.
4. MAINTAIN A MINIMUM OF 3' CLEARANCE FREE OF ALL PLANTINGS & STRUCTURES AROUND VALVE BOX.
5. PRIVATELY MAINTAINED WATER SYSTEMS SHALL HAVE "PRIVATE VALVE" STAMPED ON BRONZE ID DISC.
6. FIRE LINE VALVES SHALL HAVE "FIRE LINE VALVE" STAMPED ON BRONZE DISC AND VALVE BOX COVER SHALL BE PAINTED RED.