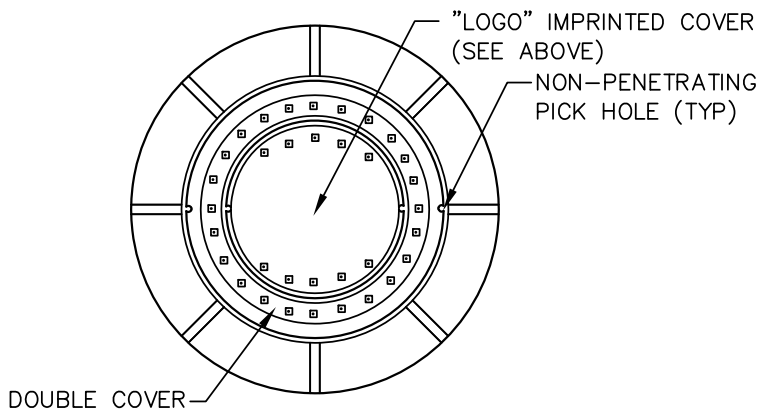
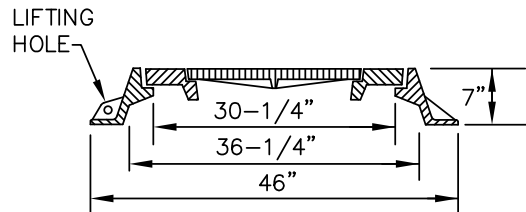
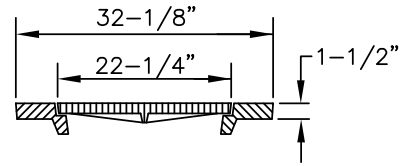


USF #663-AB-MK, or EQUAL
 "TOHO WATER AUTHORITY SANITARY SEWER"

USF #663-AB-MB, or EQUAL
 ("CITY OF KISSIMMEE" LOGO INSIDE CRA DISTRICT)



PLAN VIEW



SECTION

FRAME AND COVER DETAILS

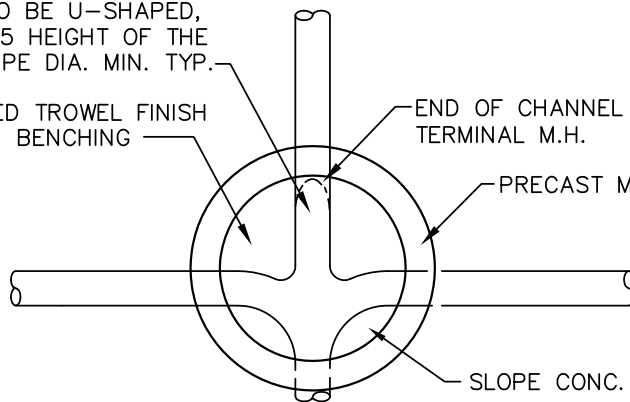
CHANNEL TO BE U-SHAPED, SMOOTH, 0.5 HEIGHT OF THE LARGEST PIPE DIA. MIN. TYP.

SLOPED TROWEL FINISH CONC. BENCHING

END OF CHANNEL FOR A TERMINAL M.H.

PRECAST MANHOLE

SLOPE CONC. BENCHING TYP.



MANHOLE FLOW CHANNEL PLAN

ASPHALTIC ENRICHED POLYMER JOINTING MATERIAL (TYP)

COMPLETED JOINT

SQUEEZE OUT (TYP.)

MANHOLE JOINT DETAIL

STAINLESS STEEL PIPE CLAMP

PIPE

FLEXIBLE CONNECTOR

MANHOLE

GROUT

FLEXIBLE CONN. DETAIL

1. ALL EXTERIOR JOINTS SHALL BE SEALED (TYP)
2. TRIM EXCESS JOINT COMPOUND FROM INTERIOR WALLS.

MISCELLANEOUS MANHOLE DETAILS