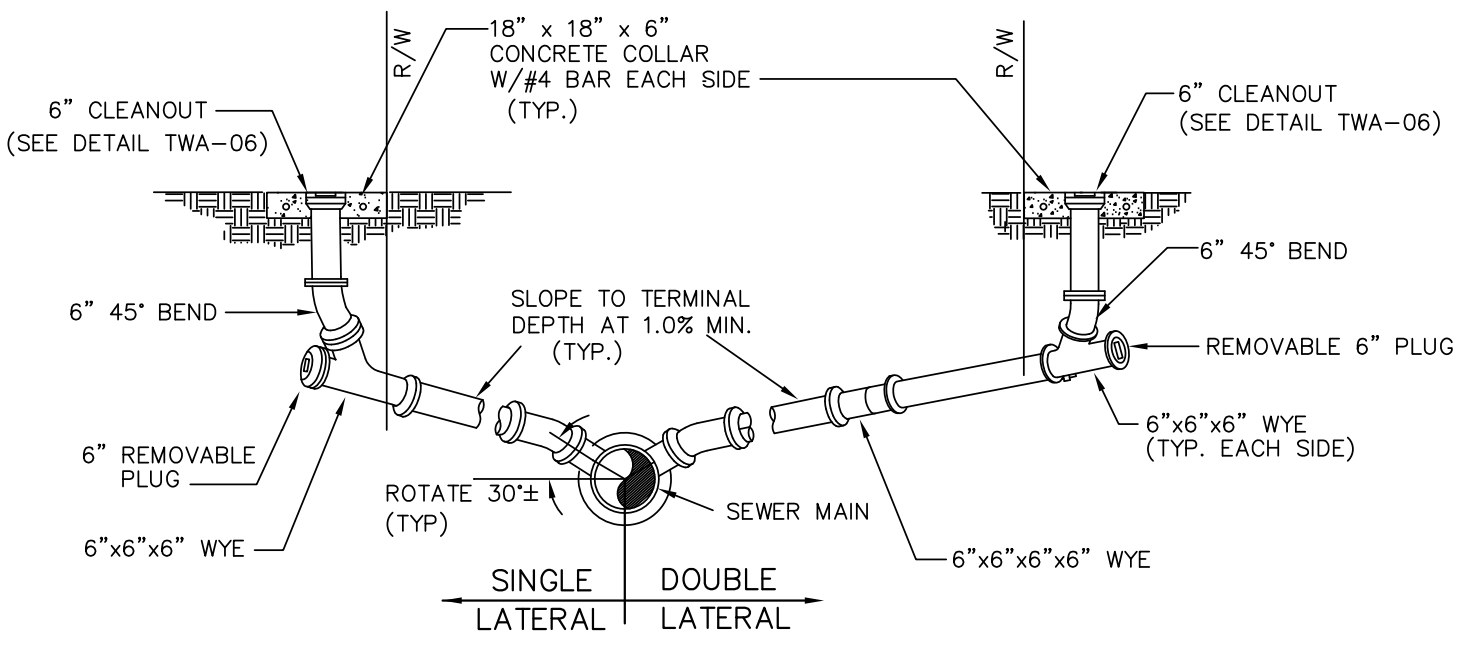


NOTES:

1. LOCATE SINGLE LATERAL AS CLOSE TO LOT LINE AS POSSIBLE.
2. SERVICE LATERALS SHALL BE 6" MINIMUM DIAMETER.
3. BENDS SHALL BE 45° MAXIMUM.
4. RECONNECT ANY EXISTING SERVICES.
5. LENGTH OF SERVICE LATERALS SHALL BE 100' OR LESS.
6. SERVICE LATERALS, AT CLEANOUT, SHALL HAVE A MINIMUM OF 18" AND A MAXIMUM OF 36" COVER AT R/W TIE-IN.
7. ETCH CURB WHERE LATERAL CROSSES BENEATH CURB WITH "S".
8. 90° CONNECTIONS TO CLEANOUTS ARE NOT ALLOWED.
9. SERVICE LATERAL, WYE & CLEANOUT RISER WITH CAP TO BE INSTALLED BY LICENSED UTILITY CONTRACTOR. CLEANOUTS TO BE INSTALLED BY PLUMBER AT FINISHED GRADE.
10. ALL COMMERCIAL AND RESIDENTIAL SINGLE LATERALS SHALL HAVE 6" CLEANOUTS.
11. ALL RESIDENTIAL DOUBLE LATERALS SHALL HAVE 6" CLEANOUTS.
12. THE SITE DEVELOPER SHALL LEAVE THE CLEANOUT RISER 3'-4" ABOVE GRADE AND IT SHALL REMAIN SO UNTIL LOT BUILD OUT. THE RISER SHALL THEN BE CUT AND CAPPED AT FINISHED GRADE WITH A CONCRETE PAD.



SANITARY SEWER LATERAL DETAILS