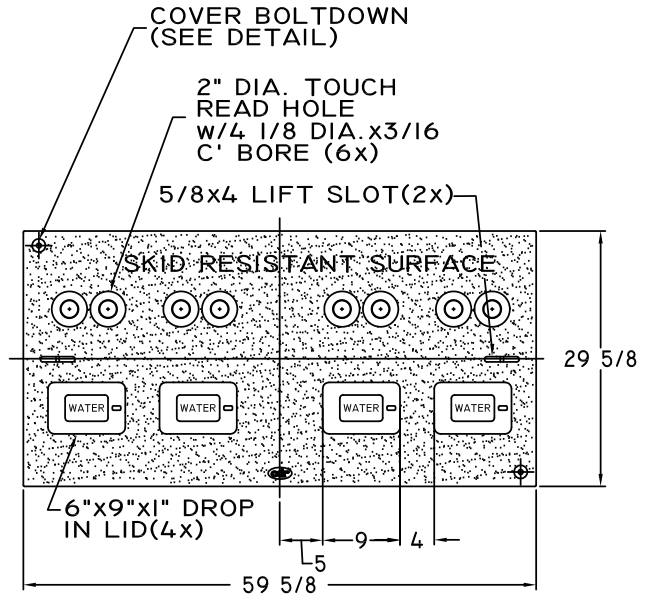
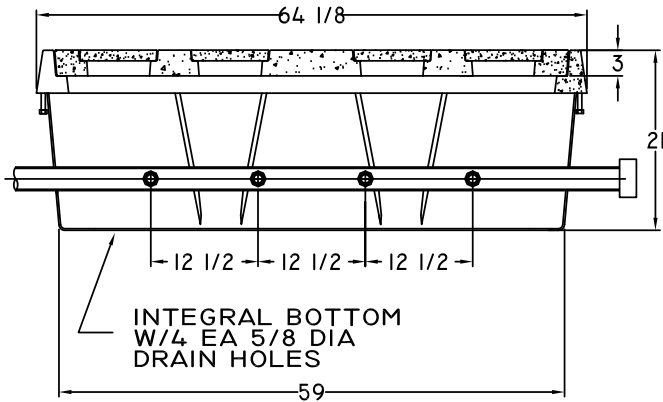


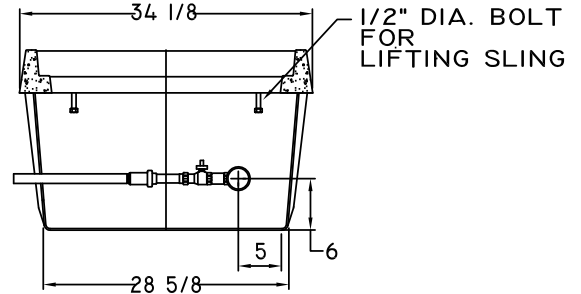
**TOP VIEW**



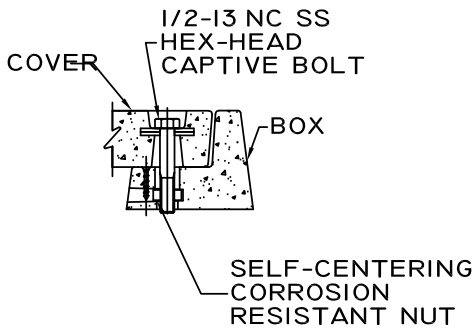
**COVER**



**SECTION**



**SECTION**



**COVER BOLTDOWN DETAIL**

**NOTES:**

1. THIS DETAIL IS INTENDED FOR GROUPS OF 3-8 SERVICE CONNECTIONS.
2. SEE DETAIL TWA-01 "TYPICAL POTABLE WATER SERVICE" AND TWA-02 "TYPICAL REUSE WATER SERVICE" FOR ADDITIONAL REQUIREMENTS.
3. CONTRACTOR SHALL ENSURE THAT THE METER BOX/ES BE CORRECTLY ORIENTED.
4. METER BOX/ES MUST BE ORDERED WITH METER SIZE/S SPECIFIED.

TWA 03.2  
2009

COMPONENTS	
COVER	WC20-3048-3TREI
BOX	WB23-3048-18W

- MATERIAL: FIBERGLASS REINFORCED POLYMER CONCRETE & FIBERGLASS REINFORCED POLYMER
- COLOR: CONCRETE GRAY

<p>146 SOUTH ATLANTIC AVE., ORMOND BEACH, FL. 32176</p>			
<p>WA23-3060-21WB-4TRE1-0193 FOR 8 (EIGHT) METERS</p>			
DRAWN		DATE	
CHECKED			
APPROVED		SIZE	061-0193