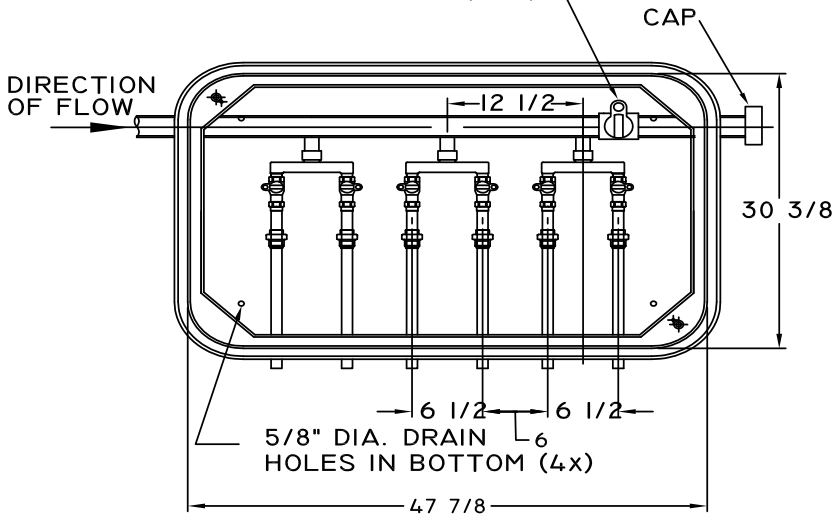
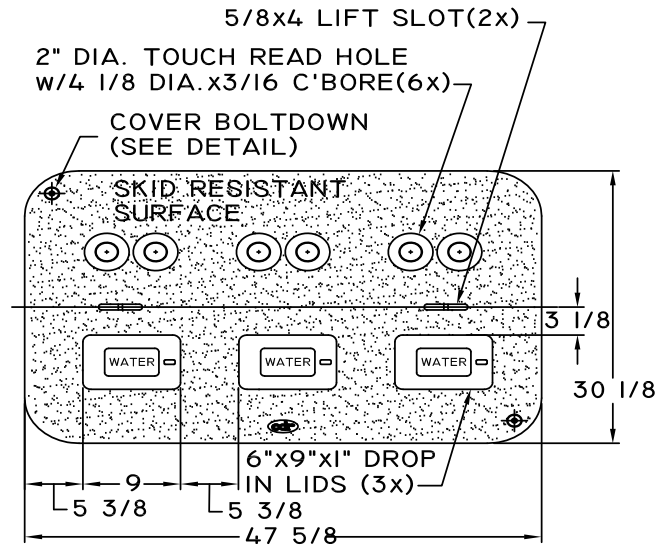


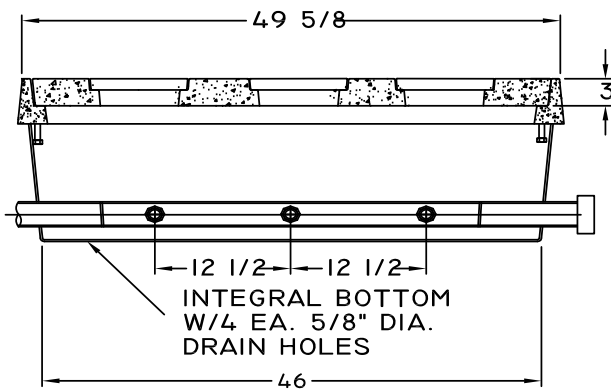
CURB STOP SHALL BE PLACED
DOWNSTREAM OF METERS. (TYP)



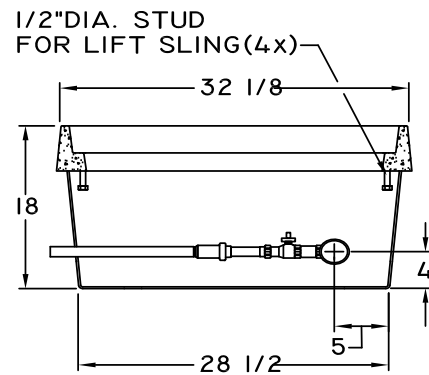
TOP VIEW



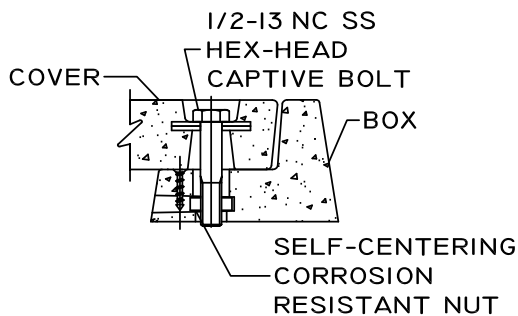
COVER



SECTION



SECTION



COVER BOLTDOWN DETAIL


NOTES:

1. THIS DETAIL IS INTENDED FOR GROUPS OF 3-8 SERVICE CONNECTIONS.
2. SEE DETAIL TWA-01 "TYPICAL POTABLE WATER SERVICE" AND TWA-02 "TYPICAL REUSE WATER SERVICE" FOR ADDITIONAL REQUIREMENTS.
3. CONTRACTOR SHALL ENSURE THAT THE METER BOX/ES BE CORRECTLY ORIENTED.
4. METER BOX/ES MUST BE ORDERED WITH METER SIZE/S SPECIFIED.

TWA 03.1
2009

COMPONENTS	
COVER	WC20-3048-3TRE1
BOX	WB23-3048-18W

- MATERIAL: FIBERGLASS REINFORCED POLYMER CONCRETE & FIBERGLASS REINFORCED POLYMER
- COLOR: CONCRETE GRAY

 146 SOUTH ATLANTIC AVE., ORMOND BEACH, FL. 32176			
WA23-2436-18WB-3TRE1-0505 FOR 6 (SIX) METERS			
DRAWN		DATE	
CHECKED			
APPROVED		SIZE	051-0505