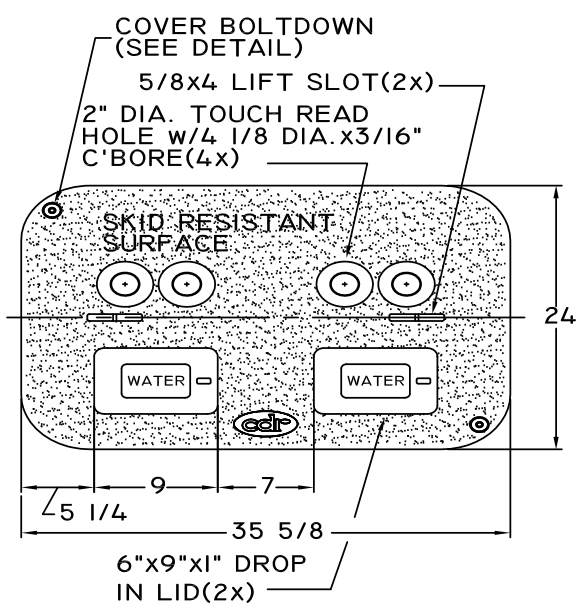
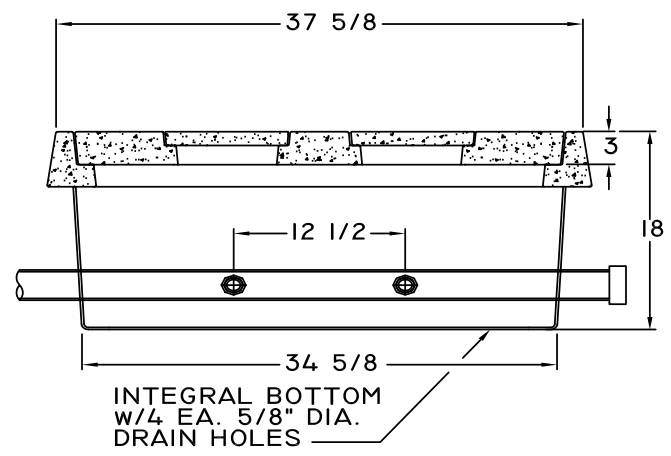


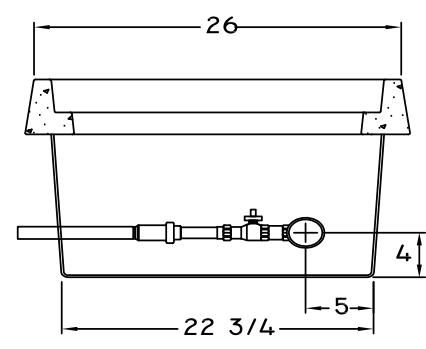
**TOP VIEW**



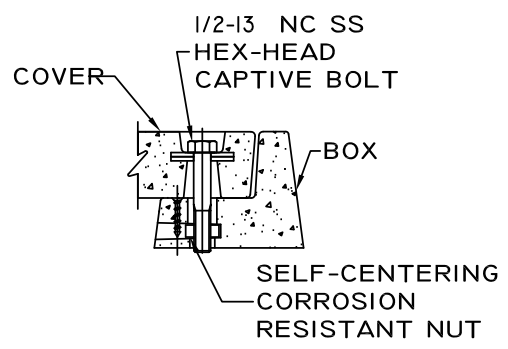
**COVER**



**SECTION**



**SECTION**



**COVER BOLTDOWN DETAIL**

- NOTES:
1. THIS DETAIL IS INTENDED FOR GROUPS OF 3-8 SERVICE CONNECTIONS.
  2. SEE DETAIL TWA-01 "TYPICAL POTABLE WATER SERVICE" AND TWA-02 "TYPICAL REUSE WATER SERVICE" FOR ADDITIONAL REQUIREMENTS.
  3. CONTRACTOR SHALL ENSURE THAT THE METER BOX/ES BE CORRECTLY ORIENTED.
  4. METER BOX/ES MUST BE ORDERED WITH METER SIZE/S SPECIFIED.

TWA 03.0  
2009

COMPONENTS	
COVER	WC20-2436-3TREI
BOX	WB23-2436-18

- MATERIAL: FIBERGLASS REINFORCED POLYMER CONCRETE & FIBERGLASS REINFORCED POLYMER
- COLOR: CONCRETE GRAY

<p>146 SOUTH ATLANTIC AVE., ORMOND BEACH, FL. 32176</p>			
TITLE WA23-2436-18WB-2TRE1-0272 FOR 4 (FOUR) METERS			
DRAWN		DATE	
CHECKED			031-0272
APPROVED		SIZE	