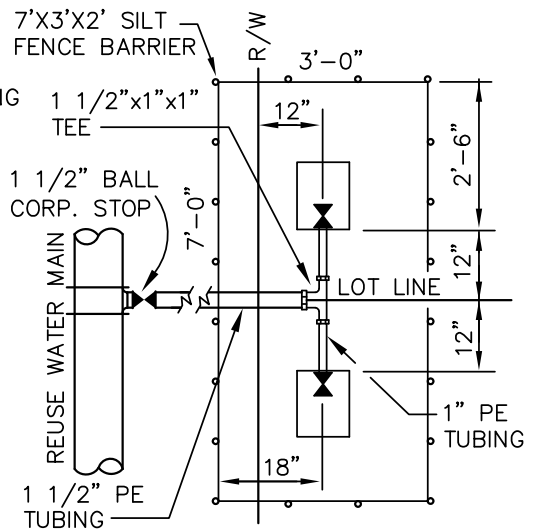


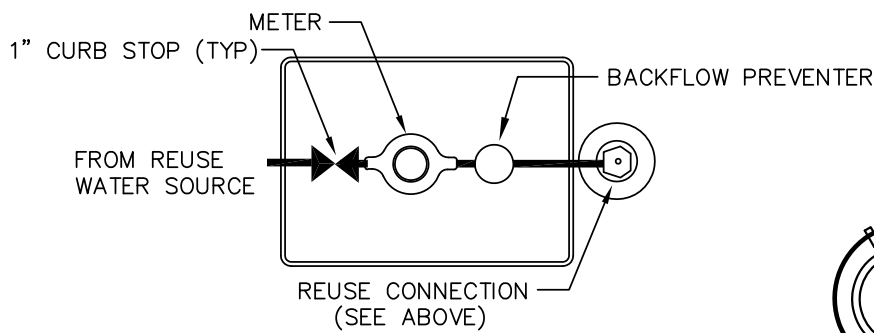
REUSE CONNECTION

REUSE CONNECTION
ASSEMBLED AND SET BY
TOHO WATER AUTHORITY

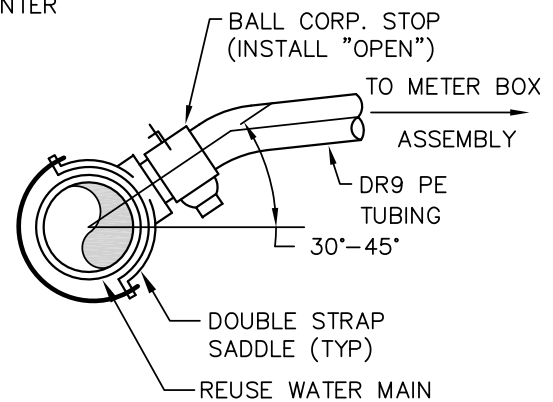


SINGLE SERVICE

DOUBLE SERVICE



METER BOX PLACEMENT



NOTES:

1. METERS INSTALLED BY TOHO WATER AUTHORITY
2. METER BOX INSTALLED BY CONTRACTOR

SERVICE NOTES:

1. ALL FITTINGS AND STOPS SHALL BE BRASS PACK JOINT TYPE w/CLAMP SCREW RETAINERS.
2. SERVICE SHALL NOT TERMINATE BENEATH PAVEMENT, CURBS SIDEWALKS OR OTHER STRUCTURES.
3. CURB STOPS SHALL BE LOCKING TYPE, STRAIGHT BALL VALVE WITH OUTLET SIZE AND THREADS TO MATCH INTENDED METER.
4. METER COUPLINGS SHALL NOT BE USED.
5. TAPS SHALL BE A MINIMUM 18" FROM JOINTS, SUCCESSIVE TAPS INTO THE WATER MAIN SHOULD BE SPACED A MINIMUM 18".
6. THE SERVICE LINE SHALL BE CONTINUOUS FROM CORPORATION STOP TO CURB STOP OR TEE BRANCH WITH NO FITTINGS IN BETWEEN.
7. SERVICE TUBING SHALL BE PURPLE POLYETHYLENE DR9, 200 PSI.
8. ETCH A 3 INCH "R" IN THE CURB. (SEE SPECIFICATION 51.8)

METER & METER BOX PLACEMENT NOTES:

1. THE BUILDER SHALL MAKE FINAL HORIZONTAL AND VERTICAL ADJUSTMENTS TO METER ASSEMBLY AND METER BOX. THE METER ASSEMBLY SHALL BE ADJUSTED TO APPROXIMATELY 7" BELOW FINISH GRADE. THE METER BOX SHALL BE CENTERED OVER METER ASSEMBLY, AS SHOWN ABOVE.
2. SINGLE SERVICE METER BOX SHALL BE UNIFORMLY PERPENDICULAR TO THE CURB OR SIDEWALK. DOUBLE SERVICE METER BOXES SHALL BE UNIFORMLY PARALLEL TO THE CURB OR SIDEWALK PER DETAIL TWA-28. TOP OF METER BOX TO BE ADJUSTED FLUSH WITH FINISH GRADE
3. MAINTAIN A MINIMUM OF 3' CLEARANCE FREE OF ALL PLANTINGS & STRUCTURES AROUND METER BOX.

TYPICAL REUSE WATER SERVICE